

ITEM	PART NO.	QTY	MODEL / DESCRIPTION
①	(5259)	1	CS-3100-ECU CORNER SCAN ECU
②	(3715)	1	UDS-001BZ BUZZER WITH LED
③	(3717)	1	UDS-2.5BC 2.5M BUZZER CABLE
④	(3718)	3	UDS-000-HSS HIGH SENSITIVITY SENSORS
⑤	(3720)	3	UDS-4.5SC 4.5M SENSOR CABLE
⑥	(3721)	3	UDS-00SS SENSOR SLEEVES 0° (NOT SHOWN)
⑦	(3722)	3	UDS-05SS SENSOR SLEEVES 5°
⑧	(3723)	3	UDS-11SS SENSOR SLEEVES 11° (NOT SHOWN)
⑨	(3724)	3	UDS-18SS SENSOR SLEEVES 18° (NOT SHOWN)
⑩	(3725)	3	UDS-26SS SENSOR SLEEVES 26° (NOT SHOWN)
⑪	(6406)	1	CS-3100(4.5) - IG ULTRASONIC USER GUIDE (NOT SHOWN)
⑫	(3731)	1	CS-3000-FIX CORNER SCAN FIXING KIT (NOT SHOWN)

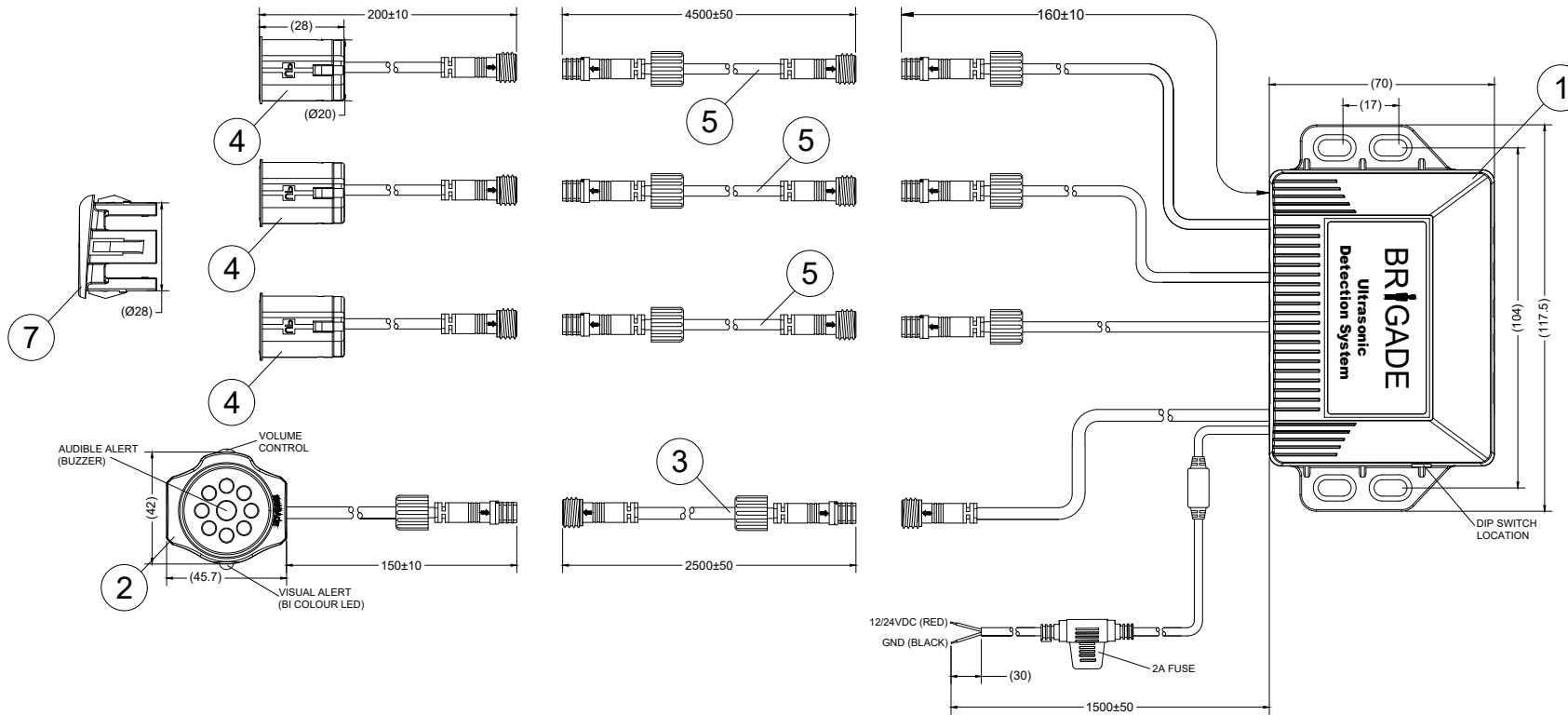
Revision Notes.

R1 -	APA: -	Drawn:-	Checked:-	Approved:-	Date: -
------	--------	---------	-----------	------------	---------

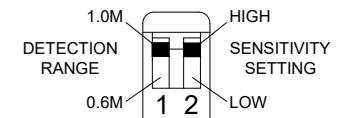
CHANGES FROM BASE PRODUCT CS-3100 (5261) TO CS-3100(4.5) (6405)

- CHANGE:
1. REPLACE 3X UDS-2.5SC 2.5M SENSOR CABLE (3719) WITH UDS-4.5SC 4.5M SENSOR CABLE (3720).
 2. ADDITIONAL SENSOR SLEEVES UDS-00SS (3721) & UDS-05SS (3722) INCLUDED IN KIT.
 3. REPLACE UDS - IG (5263) WITH CS-3100(4.5) - IG (6406).
 4. REPLACE CS-3100 GIFTBOX LABEL WITH CS-3100(4.5) GIFTBOX LABEL.
 5. GIFT BOX UDS-25018075-BOX (3789) REPLACED WITH UDS-18012575-BOX (3790).

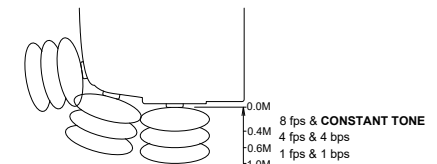
- OPERATION:
1. NO CHANGE TO OPERATION.



DIP SWITCH CONFIGURATION



(DEFAULT CONFIGURATION)



- NOTES:
1. WHEN THE SYSTEM IS POWERED BUT NOT DETECTING THE VISUAL ALERT WILL REMAIN GREEN.
 2. WHEN THE SYSTEM DETECTS AN OBJECT AND THERE IS NO CHANGE IN DETECTION DISTANCE AFTER 4 SECONDS, THE VISUAL ALERT WILL REMAIN RED ALTHOUGH THE AUDIBLE ALERT WILL BE SILENCED.
 3. SHOULD THE SYSTEM DEVELOP A FAULT THE ECU WILL BEEP ONCE FOR ONE FAULTY SENSOR, TWICE FOR TWO FAULTY SENSORS ETC...
 4. ALL AUDIBLE WARNINGS ARE MEASURED IN BEEPS PER SECOND (bps).
 5. ALL VISUAL WARNINGS ARE RED AND ARE MEASURED IN FLASHES PER SECOND (fps).
 6. FOR LABEL AND PACKAGING DETAILS REFER TO MASTER BOM.
 7. ANY CUSTOMER MODIFICATION OF THIS PRODUCT CAUSING SUBSEQUENT FAILURE IS NOT A LIABILITY OF BRIGADE ELECTRONICS PLC.

PROPRIETARY NOTICE
THIS DESIGN AND TECHNICAL INFORMATION APPEARING ON THIS DRAWING IS THE PROPERTY OF BRIGADE ELECTRONICS, AND IS DISCLOSED IN CONFIDENCE. IT IS NOT TO BE COPIED, REPRODUCED, REVEALED TO OR EXPROPRIATED BY OTHERS, EITHER IN WHOLE OR IN PART WITHOUT THE EXPRESS WRITTEN CONSENT OF BRIGADE ELECTRONICS.

BRIGADE
www.brigade-electronics.com

Assembly Pl Approval A. YAO (26/02/21)	Approved by B.CHILDS	Checked by J. TYRRELL	Drawn by A. FOSTER
Angle of Projection Third Angle	Units mm	Scale N/A	Released 01/03/21
Status RELEASED	Assembly Ref CS-3100(4.5)		
Part No 6405	BE-004503-00-21		